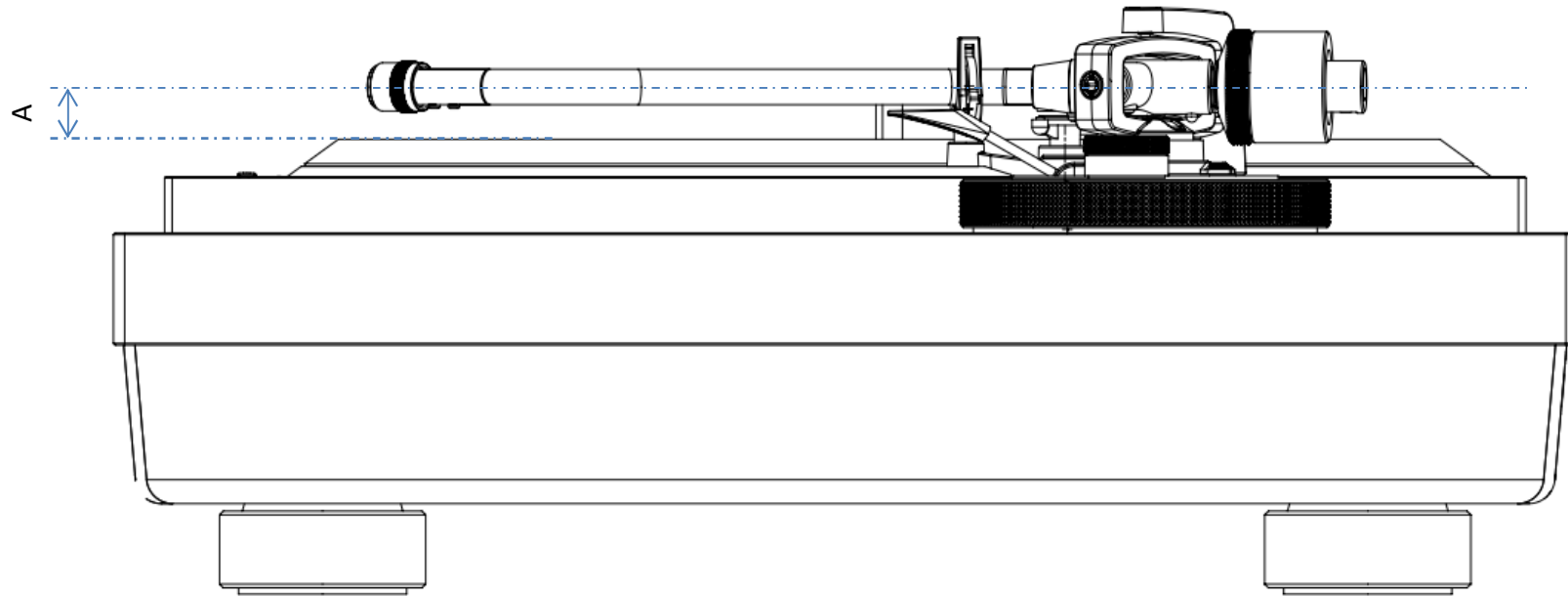


■ Adjusting the tonearm height



Height control position	Distance A between the center of tonearm pipe and turntable surface <Unit : mm>
0	14
∩	∩
15	29